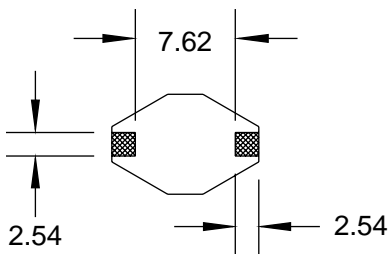
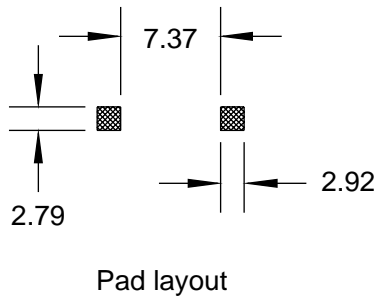
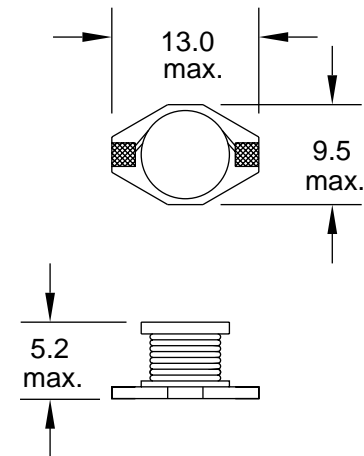


SMT Power Inductors

Special Features

- High current capacity
- High reliability
- Low DCR
- Ferrite bobbin core
- Compact size
- High heat resistance, ideal for reflow soldering
- Test frequency 100KHz
- Operating temperature -55 to +105°C
- Saturation DC current to cause 10% max. inductance drop
- Rms current to cause 15°C max. temperature rise
- Tape & reel packaged 500/reel

PM3316 Series				
Part Number	L (uH) ±20%	DCR (Ω) Max.	I, sat. (A)	I, rms (A)
PM3316-1R0M	1.0	0.009	9.0	6.8
PM3316-1R5M	1.5	0.010	8.0	6.4
PM3316-2R2M	2.2	0.012	7.0	6.1
PM3316-3R3M	3.3	0.015	6.4	5.4
PM3316-4R7M	4.7	0.018	5.4	4.8
PM3316-6R8M	6.8	0.027	4.6	4.4
PM3316-100M	10	0.038	3.8	3.9
PM3316-150M	15	0.046	3.0	3.1
PM3316-220M	22	0.085	2.6	2.7
PM3316-330M	33	0.10	2.0	2.1
PM3316-470M	47	0.14	1.6	1.8
PM3316-680M	68	0.20	1.4	1.5
PM3316-101M	100	0.28	1.2	1.3
PM3316-151M	150	0.40	1.0	1.0
PM3316-221M	220	0.61	0.8	0.8
PM3316-331M	330	1.02	0.6	0.6
PM3316-471M	470	1.27	0.5	0.5
PM3316-681M	680	2.02	0.4	0.4
PM3316-102M	1000	3.00	0.3	0.3



Dimensions: mm

J.W. Miller
MAGNETICS

306 E. Alondra Blvd., Gardena, CA 90247-1059 • (310) 515-1720 • FAX (310) 515-1962
www.jwmiller.com