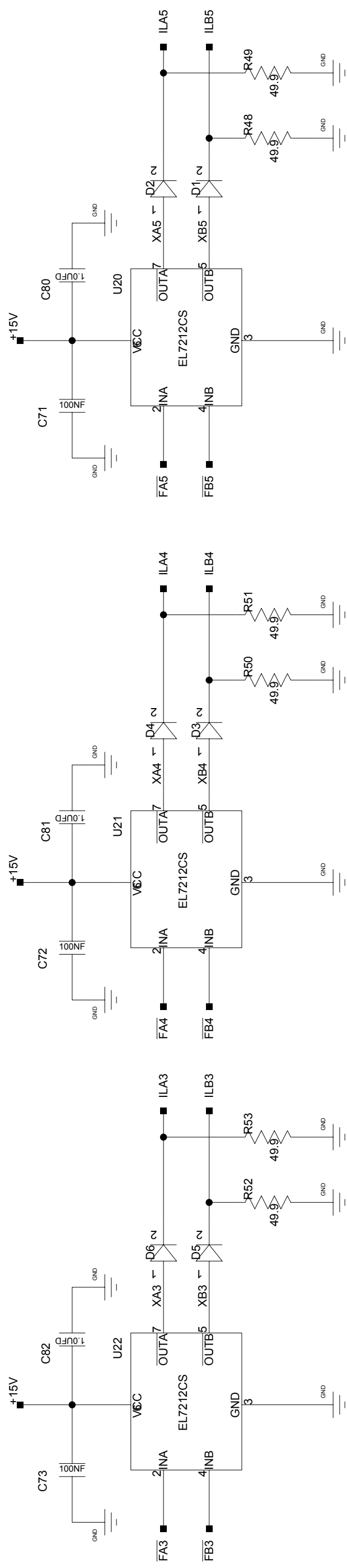
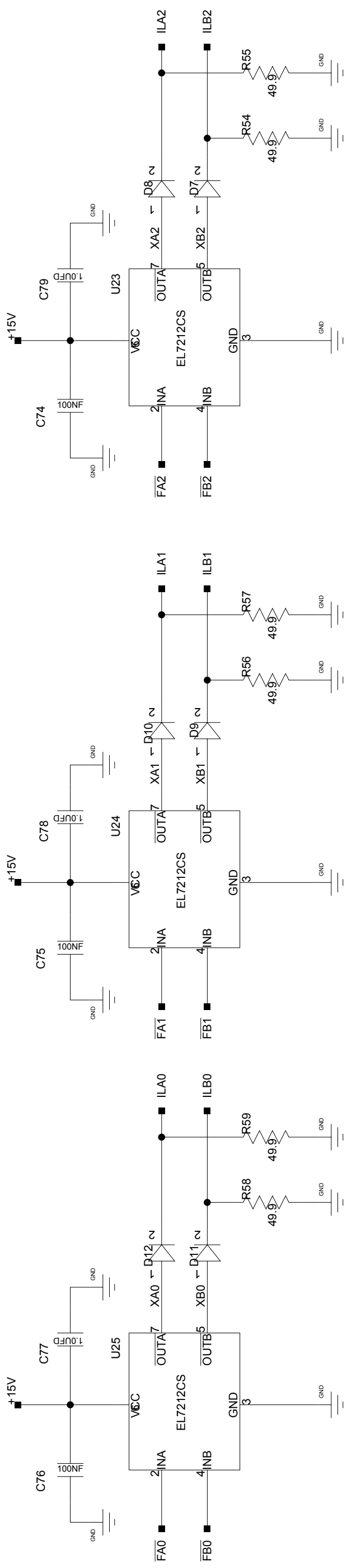
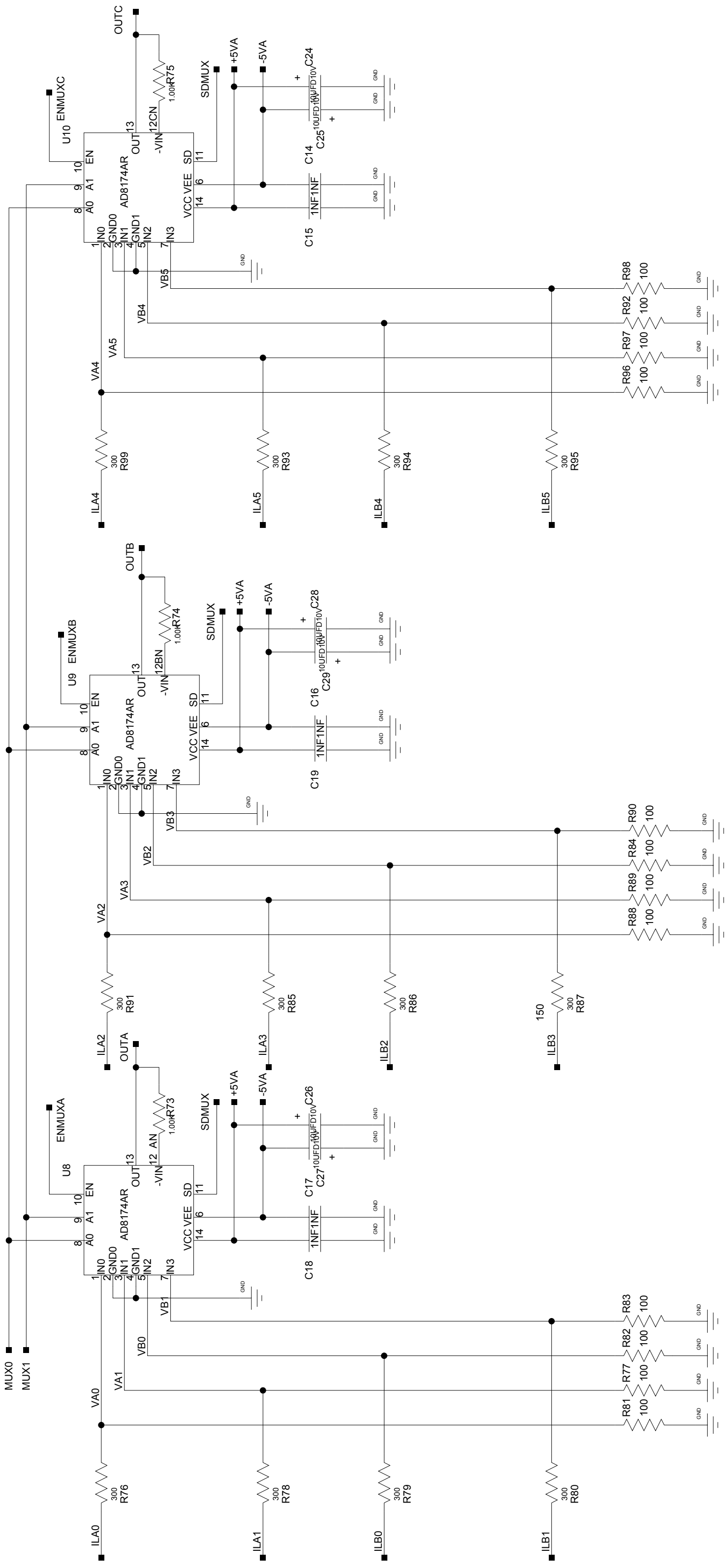
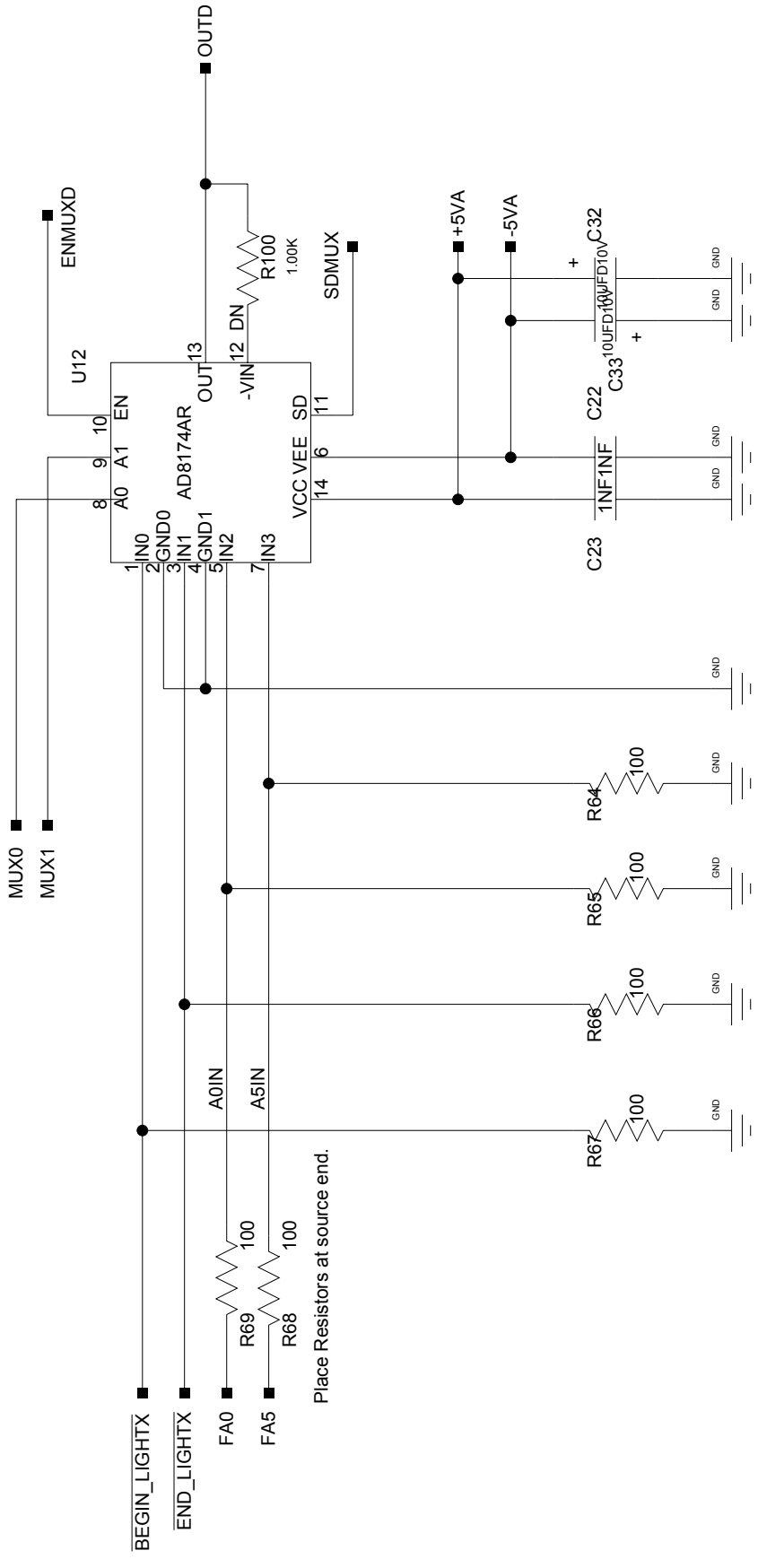


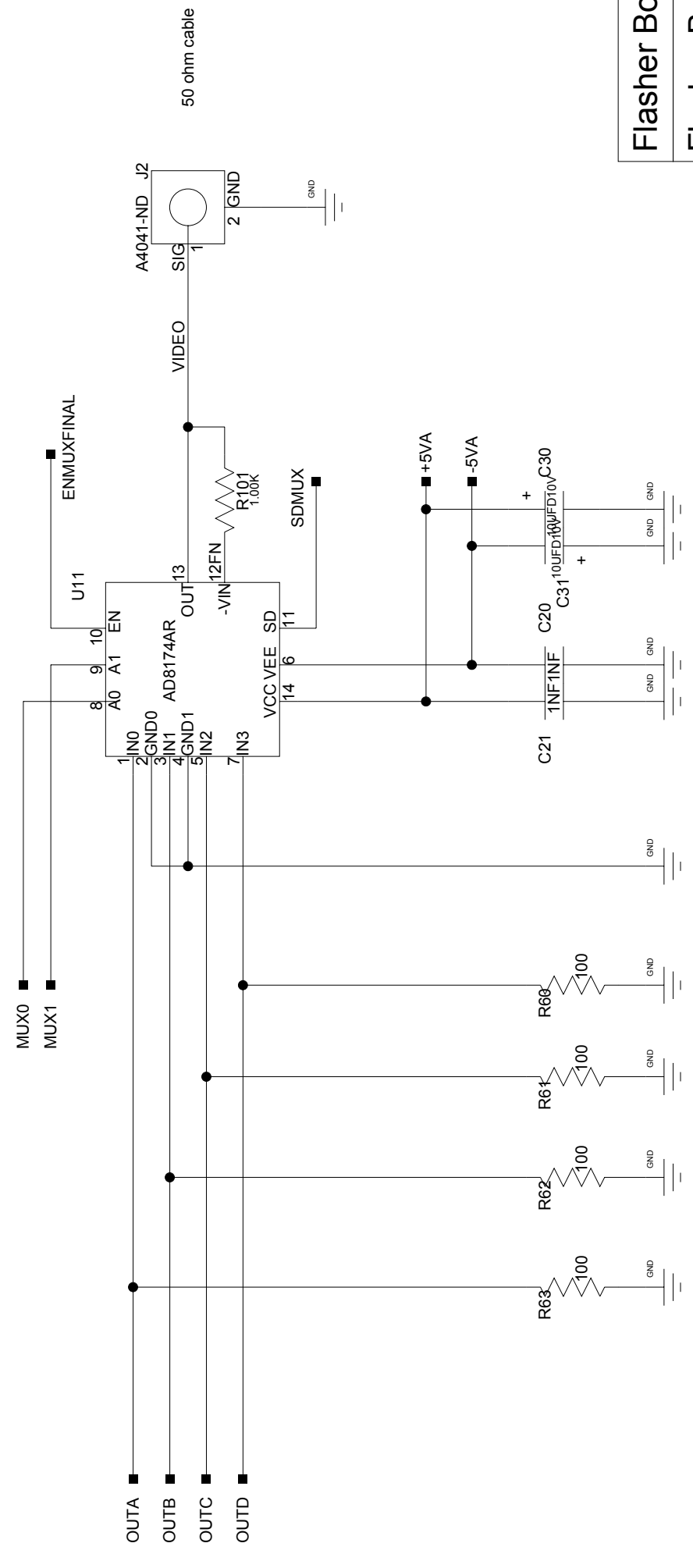
Flasher Board REV C, 07/15/03







Place Resistors at source end.



50 ohm cable